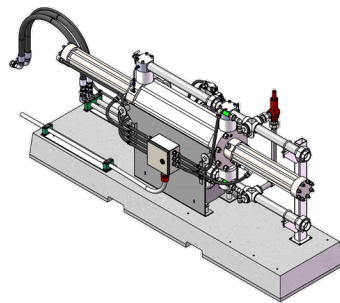


## Hydraulic Casing Gas Compressor – 50 hp Gas Drive



### KEY FEATURES

- Capable of handling liquids and slugs
- Maximum ΔP up to 2620 kPa (380 psi)
- 100% turndown capability
- Small footprint
- Engine drive for sites with no electric power
- NHSP (No Hassle Service Plan) & SkyView

### COMPRESSOR

Type	Hydraulic drive low speed reciprocating compressor			
Capacity Control	Automatic by PLC, 100% turndown			
Wiring	Class 1 Div 2 Hazardous location			
Piping	SA-106B Threaded spools			
Max Discharge Pressure	1100 psi std / 1500 optional	7600 / 10,300 kPa		
Max Design Discharge Temperature	400°F		200°C	
	<b>1022 Cylinder</b>		<b>1028 Cylinder</b>	
Max ΔP	225 psi	1550 kPa	380 psi	2620 kPa
Max Geometric Displacement	77 mcf/d	2180 m <sup>3</sup> /day	48 mcf/d	1350 m <sup>3</sup> /day

### HYDRAULIC POWER PACK

Driver	8-cylinder natural gas drive engine			
Usable power	80 hp @ 2300 rpm			
Fuel Consumption	782 scf/hr / 531 m <sup>3</sup> /d			
Ignition	Electronic			
Starter	Electric			
Oil Conditioning	Slipstream 10 micron filter			
Oil Capacity	16 gal / 61 L			
Silencer	Mac – whisper quiet			
Governor	Woodward electronic			
Hydraulic Pump	External gear pump			
Hydraulic Oil Filter	3 Micron			
Hydraulic Oil Capacity	69 gal / 260 L			
Hydraulic Cooling	Offline cooling loop, bar and plate cooler, fan-cooled			
Hydraulic Oil Temperature Control	Automatic warm-up, cold-start protection			
Wiring	General purpose (remote from compressor)			

### CONTROLS AND INSTRUMENTATION

System Control	PLC with data logging
Readout	Multifunction LCD display
Engine Analog Gauges	Oil pressure, coolant temperature, fuel pressure
Web Enabled Remote Monitoring	Satellite callout for operating conditions, Alarms, Shutdowns

### WEIGHTS AND DIMENSIONS

Compressor on Concrete Slab	2600 lb / 1180 kg	96" x 24" / 244 cm x 61 cm
Power Pack	2860 lb / 1030 kg	108" x 70" / 274 cm x 178 cm
Inlet Connector	2" NPT	1½" Hose available
Discharge Connector	2" NPT	1½" Hose available

### ALARMS AND SHUTDOWNS

	Alarm	Shutdown
Suction Pressure Low	✓	
Discharge Pressure High	✓	
Differential Pressure High	✓	
Discharge Temperature High	✓	
Hydraulic Oil Temperature Low	✓	
Hydraulic Oil Temperature High	✓	✓
Hydraulic Oil Leak	✓	✓
Hydraulic Oil Level Low	✓	✓
Engine Oil Level Low	✓	
Engine Coolant Temperature High		✓
Engine Oil Pressure Low		✓
ESD		✓

### OPTIONS

- High discharge pressure transmitter
- Piping for corrosive process gas
- Glycol heat trace

### APPLICATIONS

- Casing Gas Compression (Sweet & Sour Service)
- Tank Vapour Recovery
- Flaring / Venting Reduction
- Gas Recovery From Treators/Separators
- Pressure Boosting
- Pigging / Pig Launching
- SAGD / CSS Production Optimization
- Compressor Seal Vapour Recovery
- Frac Flowback Gas Recovery

© 2002-2021 Compact Compression, Inc.

[sales@compactcompression.com](mailto:sales@compactcompression.com)

<https://www.compactcompression.com>



#8, 1820 – 30th Avenue NE, Calgary, AB T2E 7M5

Telephone: (403) 219-3026 Fax: (403) 717-1759

FLEXIBLE • RELIABLE • ECONOMICAL • PORTABLE • OPERATOR FRIENDLY





## Hydraulic Casing Gas Compressor – 50 hp Gas Drive

HCG50 Gas Drive with 1022 Cylinder														
DISCHARGE PRESSURE Max ΔP: 225 psi / 1550 kPa														
SUCTION PRESSURE	PSI	75	100	150	175	200	225	250	275	300	325	350		
	kPa	520	700	860	1035	1205	1380	1550	1725	1900	2070	2240	2420	
	5	100	95	91	87	83	79	75						
	35	2.8	2.7	2.6	2.5	2.4	2.3	2.1						
	10	130	125	121	117	112	108	104						
	70	3.7	3.6	3.5	3.3	3.2	3.1	3.0						
	15	160	156	151	147	147	138	134						
	105	4.6	4.5	4.3	4.2	4.2	3.9	3.8						
	20	191	186	181	177	172	168	164						
	140	5.5	5.3	5.2	5.1	4.9	4.8	4.7						
	30	252	247	242	237	233	228	223	219					
	210	7.2	7.1	6.9	6.8	6.6	6.5	6.4	6.3					
	40	314	308	303	298	293	288	284	279					
	275	9.0	8.8	8.7	8.5	8.4	8.2	8.1	8.0					
	50	376	370	364	359	354	349	344	339	334				
	345	10.7	10.6	10.4	10.3	10.1	10.0	9.8	9.7	9.5				
75		525	519	513	507	501	496	491	485	480				
520		15.0	14.8	14.6	14.5	14.3	14.1	14.0	13.9	13.7				
100			674	667	661	655	649	643	637	632	626			
700			19.3	19.1	18.9	18.7	18.5	18.4	18.2	18.1	17.9			
125				823	816	809	802	799	790	748	778	773		
860				23.5	23.3	23.1	22.9	22.0	22.6	21.4	22.2	22.1	22.1	
150					972	964	957	950	944	937	931	925		
1035					27.8	27.6	27.3	27.2	27.0	26.8	26.6	26.4	26.4	
175						1120	1113	1105	1098	1091	1084	1078		
1205						32.0	31.8	31.6	31.4	31.2	31.0	30.8	30.8	
200							1269	1261	1254	1246	1239	1232		
1380							36.3	36.0	35.8	35.6	35.4	35.2	35.2	

HCG50 Gas Drive with 1028 Cylinder														
DISCHARGE PRESSURE Max ΔP: 380 psi / 2620 kPa														
SUCTION PRESSURE	PSI	250	275	300	325	350	375	400	425	450	475	500	525	
	kPa	1725	1900	2070	2240	2420	2585	2760	2930	3100	3275	3450	3620	
	5	41	39	36	34	32	30							
	30	1.2	1.1	1.0	1.0	0.9	0.9							
	10	58	56	53	52	49	47							
	70	1.7	1.6	1.5	1.5	1.4	1.3							
	15	75	73	71	68	66	64							
	100	2.2	2.1	2.0	2.0	1.9	1.8							
	20	93	90	88	86	83	81	78						
	140	2.7	2.6	2.5	2.4	2.4	2.3	2.2						
	30	128	125	123	120	118	115	113						
	210	3.7	3.6	3.5	3.4	3.4	3.3	3.2						
	40	163	161	158	155	157	150	148						
	280	4.7	4.6	4.5	4.4	4.5	4.3	4.2						
	50	199	196	193	191	188	185	183	180					
	340	5.7	5.6	5.5	5.4	5.4	5.3	5.2	5.1					
75	288	285	282	279	276	273	271	268	265					
520	8.2	8.1	8.0	8.0	7.9	7.8	7.7	7.7	7.6					
100	378	374	371	368	365	362	359	356	353	350				
690	10.8	10.7	10.6	10.5	10.4	10.3	10.3	10.2	10.1	10.0				
125	468	464	460	458	454	451	448	445	442	439	436			
860	13.4	13.3	13.2	13.1	13.0	12.9	12.8	12.7	12.6	12.5	12.5			
150	558	555	551	547	544	541	538	534	531	528	524	521		
1030	16.0	15.8	15.7	15.6	15.5	15.5	15.4	15.3	15.2	15.1	15.0	14.9	14.9	
175	649	645	641	638	634	630	627	624	620	617	613	610		
1210	18.5	18.4	18.3	18.2	18.1	18.0	17.9	17.8	17.7	17.6	17.5	17.4	17.4	
200	740	736	732	728	724	721	717	713	710	706	703	699		
1380	21.2	21.0	20.9	20.8	20.7	20.6	20.5	20.4	20.3	20.2	20.1	20.0	20.0	

sales@compactcompression.com  
<https://www.compactcompression.com>



#8, 1820 – 30th Avenue NE, Calgary, AB T2E 7M5  
 Telephone: (403) 219-3026 Fax: (403) 717-1759

FLEXIBLE • RELIABLE • ECONOMICAL • PORTABLE • OPERATOR FRIENDLY